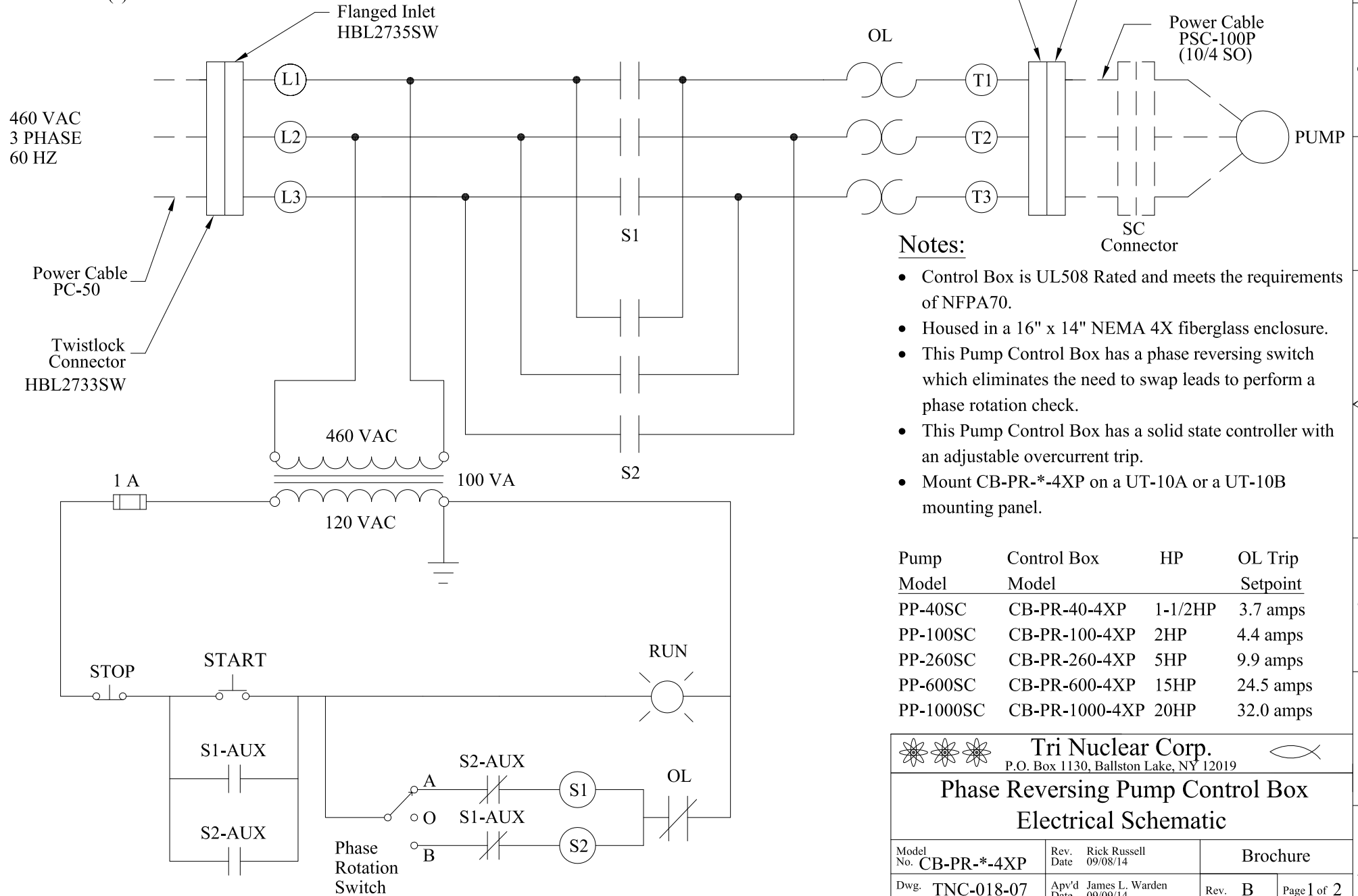



A fused disconnect or circuit breaker must be provided by installer. Provide disconnect sizing per NEC-430-53 (c)



Notes:

- Control Box is UL508 Rated and meets the requirements of NFPA70.
- Housed in a 16" x 14" NEMA 4X fiberglass enclosure.
- This Pump Control Box has a phase reversing switch which eliminates the need to swap leads to perform a phase rotation check.
- This Pump Control Box has a solid state controller with an adjustable overcurrent trip.
- Mount CB-PR-*-4XP on a UT-10A or a UT-10B mounting panel.

Pump Model	Control Box Model	HP	OL Trip Setpoint
PP-40SC	CB-PR-40-4XP	1-1/2HP	3.7 amps
PP-100SC	CB-PR-100-4XP	2HP	4.4 amps
PP-260SC	CB-PR-260-4XP	5HP	9.9 amps
PP-600SC	CB-PR-600-4XP	15HP	24.5 amps
PP-1000SC	CB-PR-1000-4XP	20HP	32.0 amps

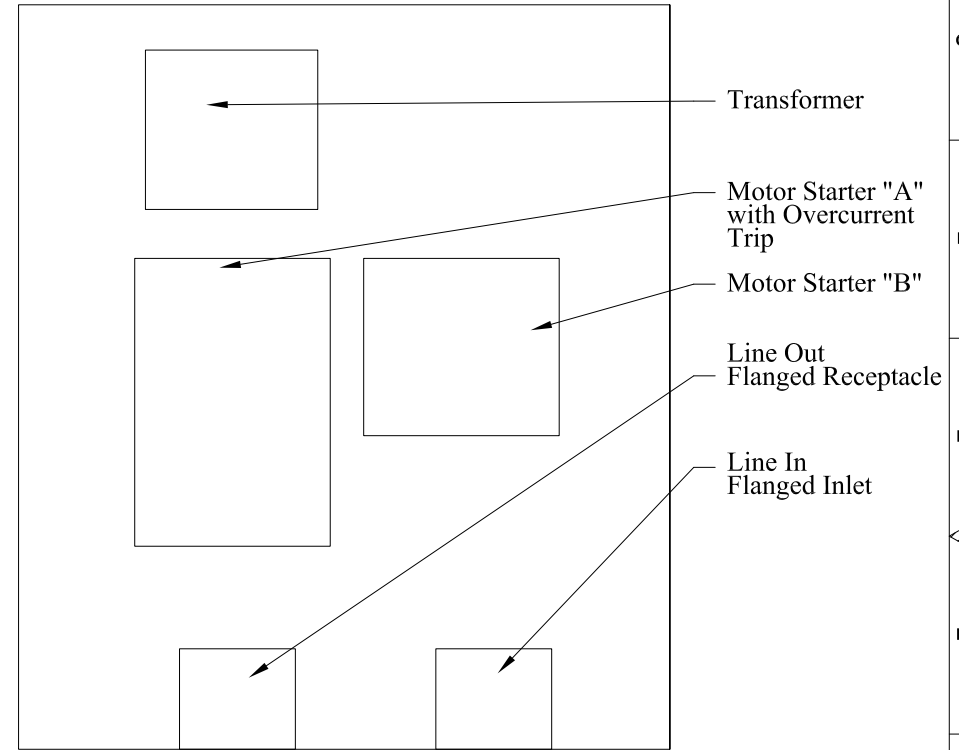
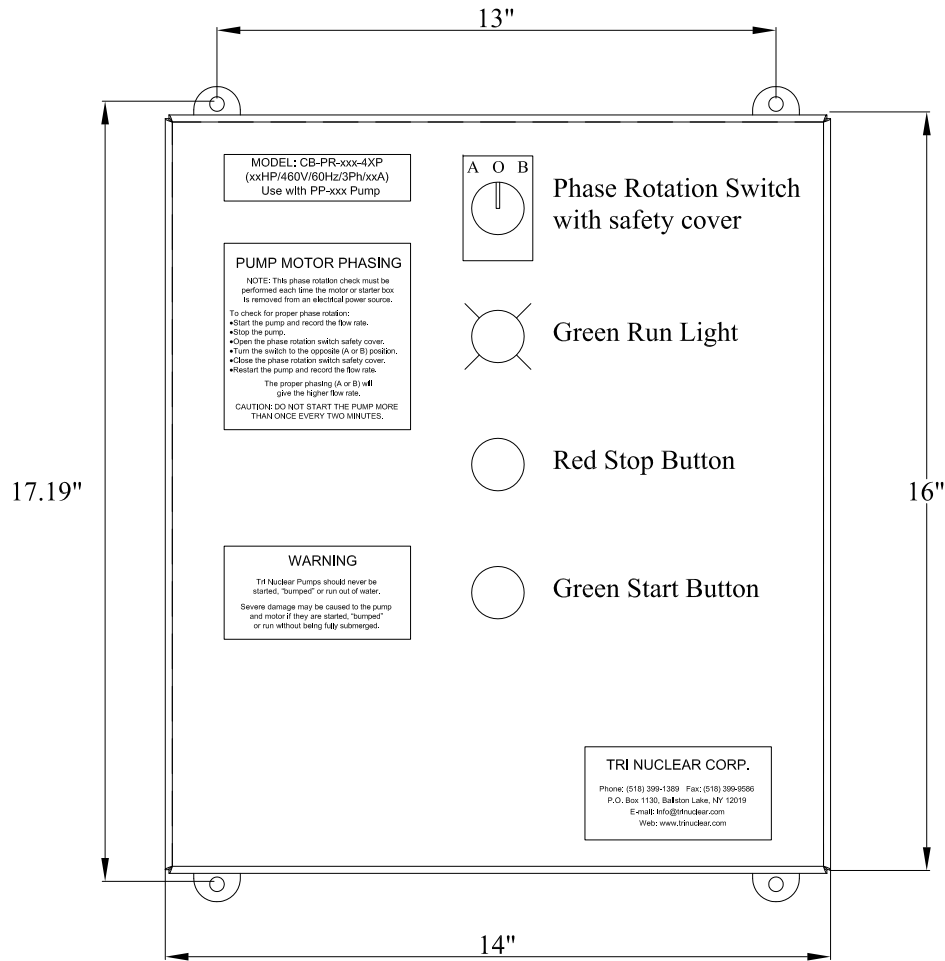

Tri Nuclear Corp.
 P.O. Box 1130, Ballston Lake, NY 12019

Phase Reversing Pump Control Box
Electrical Schematic

Model No. CB-PR-*-4XP	Rev. Date 09/08/14 Rick Russell	Brochure	
Dwg. TNC-018-07	Apv'd Date 09/09/14 James L. Warden	Rev. B	Page 1 of 2

CONTROL BOX FRONT



CONTROL BOX INSIDE



To check for proper phase rotation of the pump motor, turn on the unit and record the flow rate. Switch the phase of the pump using the phase rotation switch, start the pump and again record the flow rate. The proper phasing will give the higher flow rate.

To change the phase of the pump, stop the pump (if running), open the safety cover, rotate the switch to the Phase A or B position, close the safety cover, and restart the pump.

This phase rotation check must be performed each time the motor or starter box is disconnected from the electrical power source.

 Tri Nuclear Corp. P.O. Box 1130, Ballston Lake, NY 12019			
Phase Reversing Pump Control Box Electrical Schematic			
Model No.	CB-PR-*-4XP	Dwg.	TNC-018-07
Rev.	B	Page	2 of 2